

产品简介及特点

GDL型多级管道离心泵是我单位在国内外优秀泵型之基础上结合用户的使用要求及消防有关标准，并根据JB/TQ6435-92标准设计制造的新一代产品。

本型泵采用立式节段式外加不锈钢壳体结构，使得泵的进出口位于同一水平线上且口径相同，能象阀门一样安装于管路之中，它同时集中了多级泵之高压，立式泵之占地面积小及管道泵之安装方便的优点，同时由于采用了优秀的水力模型，所以还具有高效节能，运行平稳等优点，且轴封采用耐磨机械密封，无泄漏使用寿命长。

为了能更好地满足用户的要求，本单位还开发了出水口位于上部的GDLS型，其进出口可以不同的相对位置(0°、90°、180°)安装，使用极为方便。

为了使用户能更加安全、可靠的使用该型泵，本单位特别研制了便拆式结构型，它除拥有GDL、GDLS的一切优点外，更为您更换机械密封等易损件提供了更加方便，快捷、省力的途径，使本型泵更无忧运行与维护。

应用范围

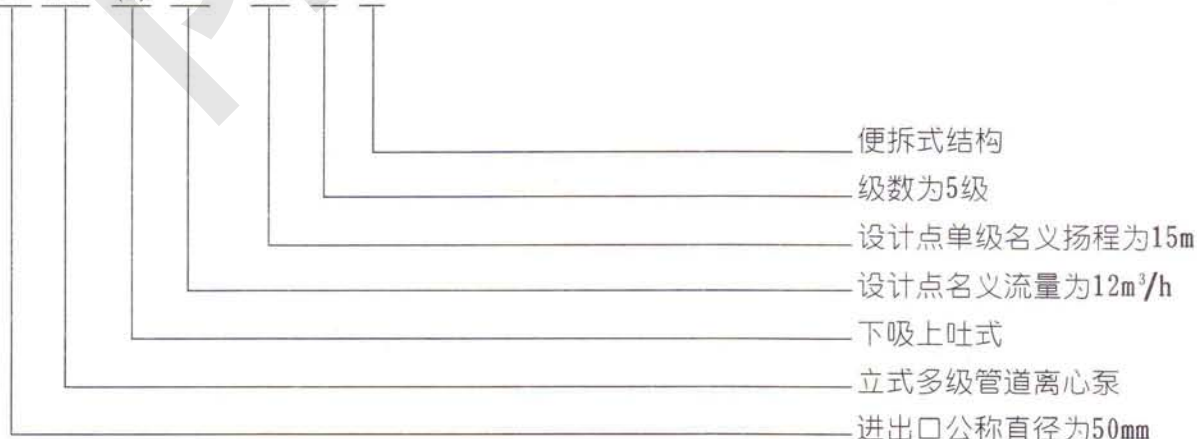
本型泵主要适用于高压运行系统中冷热清水的循环和增压、高层建筑多台泵并联供水、消防、锅炉给水和冷却水系统及各种冲洗液的输送等。

工作条件

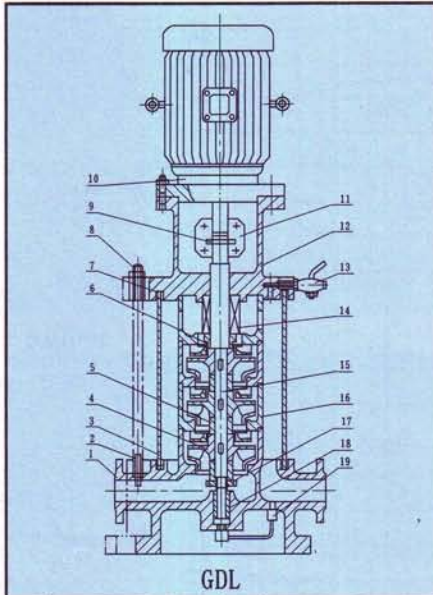
1. 本型泵可输送清水或物理化学性质类似于清水的液体；
2. 液体温度：-15℃~+120℃；
3. 工作压力：最大工作压力<2.5MPa，即系统压力=入口压力+闭阀工作时的压力<2.5MPa；
4. 周围环境的温度应低于40℃，相对湿度不超过95%；
5. 输送含腐蚀性介质及热液体时，请于订货时提出，以便采用特殊材质满足使用要求。

型号意义

50 GDL (S) 12 -15×5-B

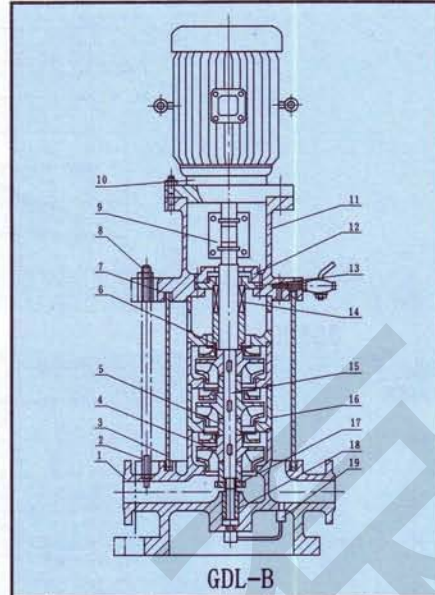


结构简图



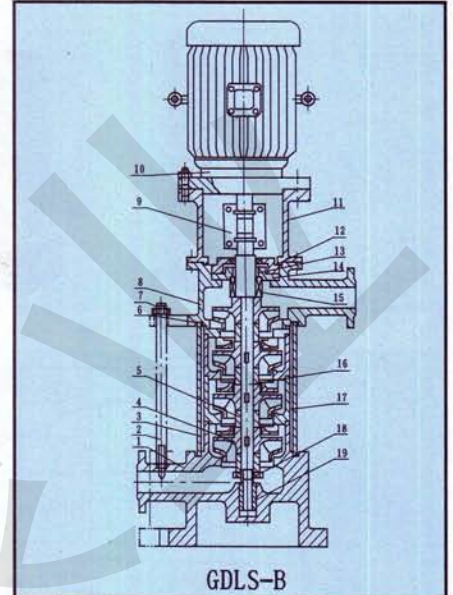
GDL

| | | | |
|----|------|----|-------|
| 1 | 泵体 | 11 | 联轴器 |
| 2 | 拉紧螺栓 | 12 | 联接座 |
| 3 | 外筒 | 13 | 气嘴 |
| 4 | 叶轮 | 14 | 机械密封 |
| 5 | 叶轮挡套 | 15 | 轴 |
| 6 | 轴套 | 16 | 中段 |
| 7 | 密封垫 | 17 | 轴套螺母 |
| 8 | 螺母 | 18 | 轴瓦 |
| 9 | 销 | 19 | 回水管部件 |
| 10 | 电机 | | |



GDL-B

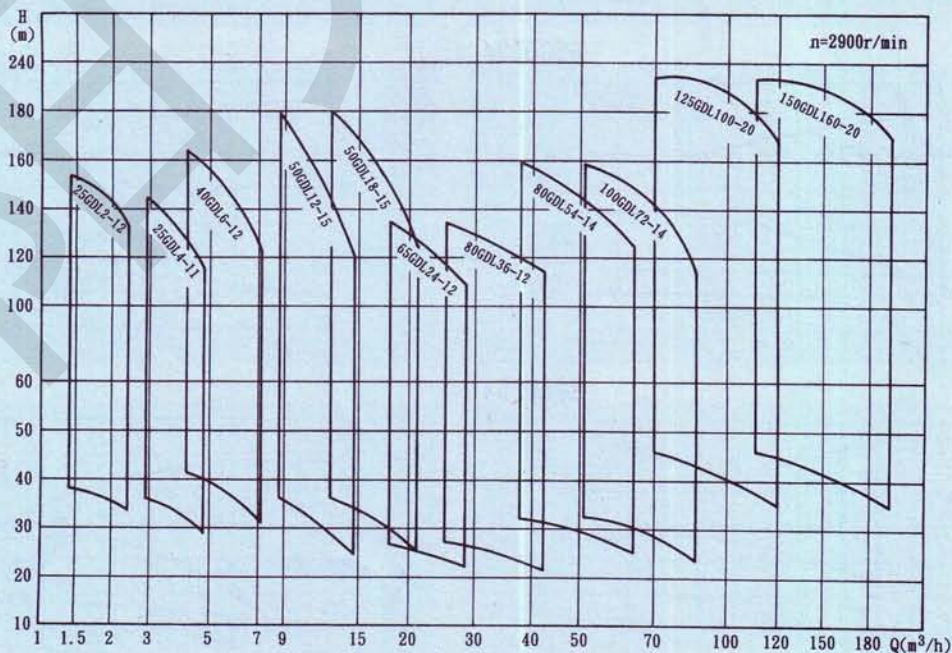
| | | | |
|----|------|----|-------|
| 1 | 泵体 | 11 | 联接座 |
| 2 | 拉紧螺栓 | 12 | 密封座 |
| 3 | 外筒 | 13 | 轴承座 |
| 4 | 叶轮 | 14 | 机械密封 |
| 5 | 叶轮挡套 | 15 | 轴 |
| 6 | 轴套 | 16 | 中段 |
| 7 | 密封垫 | 17 | 轴套螺母 |
| 8 | 螺母 | 18 | 轴瓦 |
| 9 | 联轴器 | 19 | 回水管部件 |
| 10 | 电机 | | |



GDLS-B

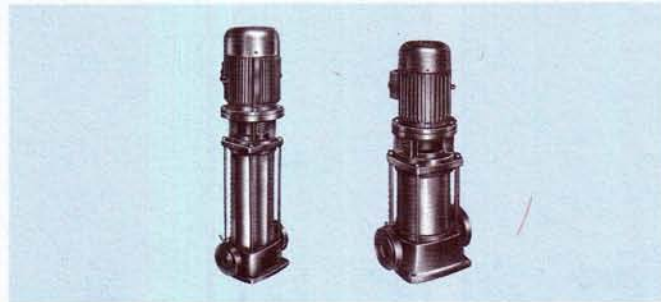
| | | | |
|----|------|----|------|
| 1 | 吸入段 | 11 | 联接座 |
| 2 | 拉紧螺栓 | 12 | 密封座 |
| 3 | 外筒 | 13 | 复合轴承 |
| 4 | 叶轮 | 14 | 轴承座 |
| 5 | 叶轮挡套 | 15 | 机械密封 |
| 6 | 密封垫 | 16 | 轴 |
| 7 | 螺母 | 17 | 中段 |
| 8 | 出水段 | 18 | 轴套螺母 |
| 9 | 联轴器 | 19 | 轴瓦 |
| 10 | 电机 | | |

型谱图

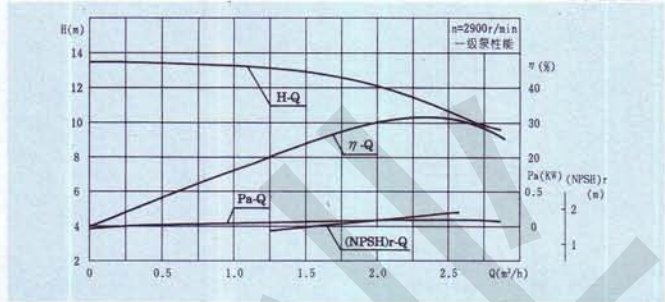


注：GDL-B、GDLS、GDLS-B型型谱图同上图

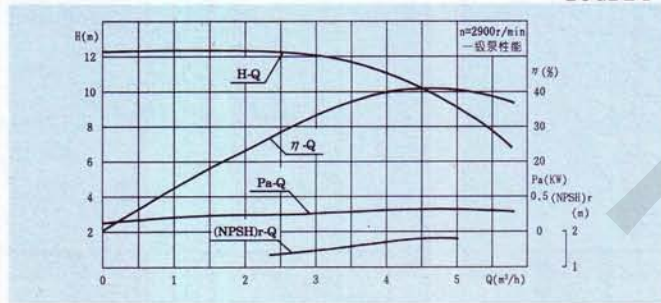
泵 曲 线 图



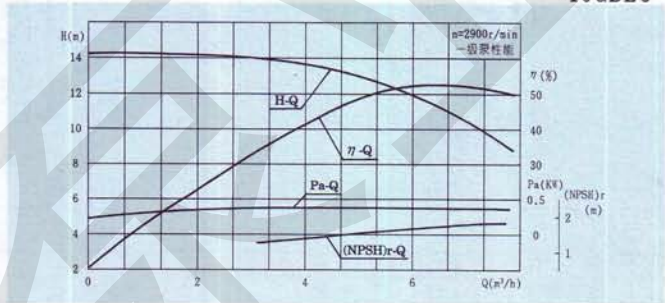
25GDL2



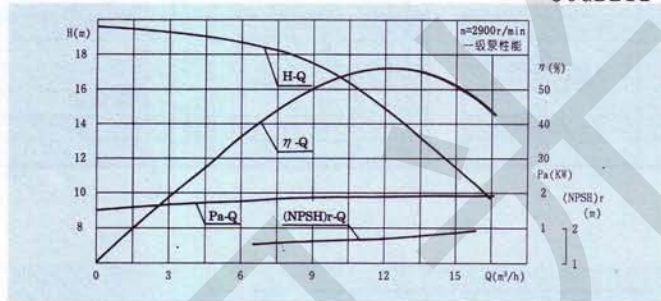
25GDL4



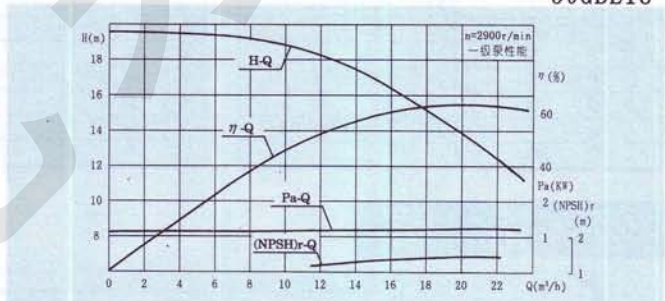
40GDL6



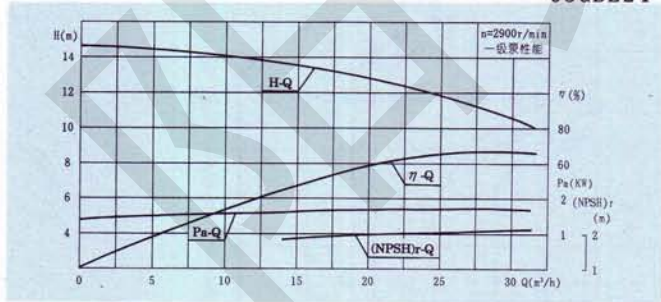
50GDL12



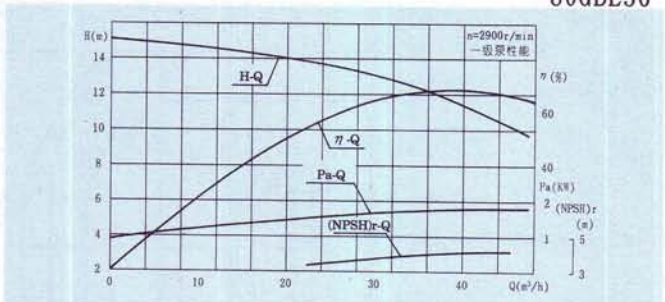
50GDL18



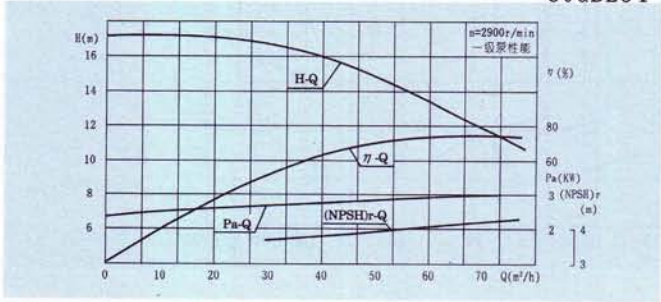
65GDL24



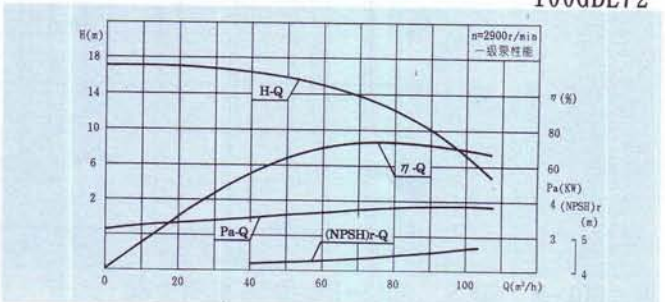
80GDL36



80GDL54

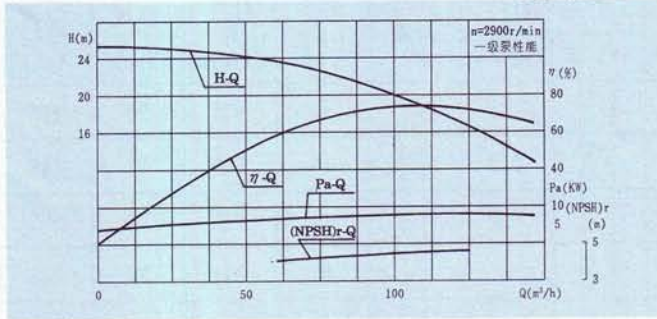


100GDL72

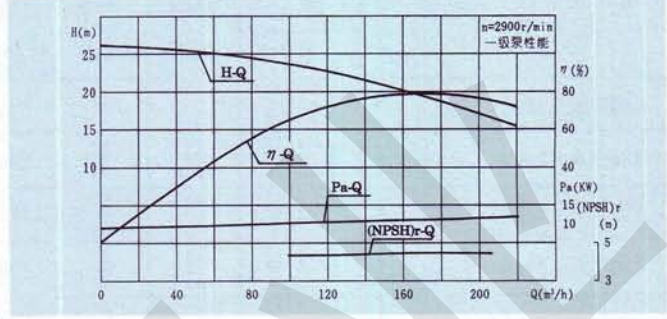


泵曲线图

125GDL100



150GDL160



泵性能参数

| 型号 | 流量 | | 扬程 (m) | 效率 (%) | 转速 (r/min) | 功率(KW) | | 汽蚀 余量 (m) | 进出 口径 (mm) | 高度 H (mm) | 重量 (kg) | 高度 h1 (mm) |
|--------------|--------|-------|-----------|-----------|---------------|--------|------|-----------------|------------------|-----------------|------------|------------------|
| | (m³/h) | (L/S) | | | | 轴功率 | 电机功率 | | | | | |
| 25GDL2-12×3 | 1.4 | 0.39 | 38 | 23 | 2900 | 0.63 | 1.1 | 1.4 | 25 | 606 | 58 | 125 |
| | 2 | 0.56 | 36 | 30 | | | | | | | | |
| | 2.4 | 0.67 | 33 | 32 | | | | | | | | |
| 25GDL2-12×4 | 1.4 | 0.39 | 50 | 23 | 2900 | 0.83 | 1.1 | 1.4 | 25 | 646 | 62 | 165 |
| | 2 | 0.56 | 48 | 30 | | | | | | | | |
| | 2.4 | 0.67 | 44 | 32 | | | | | | | | |
| 25GDL2-12×5 | 1.4 | 0.39 | 63 | 23 | 2900 | 1.04 | 1.5 | 1.4 | 25 | 711 | 68 | 205 |
| | 2 | 0.56 | 60 | 30 | | | | | | | | |
| | 2.4 | 0.67 | 55 | 32 | | | | | | | | |
| 25GDL2-12×6 | 1.4 | 0.39 | 76 | 23 | 2900 | 1.26 | 1.5 | 1.4 | 25 | 751 | 72 | 245 |
| | 2 | 0.56 | 72 | 30 | | | | | | | | |
| | 2.4 | 0.67 | 66 | 32 | | | | | | | | |
| 25GDL2-12×7 | 1.4 | 0.39 | 88 | 23 | 2900 | 1.46 | 2.2 | 1.4 | 25 | 816 | 78 | 285 |
| | 2 | 0.56 | 84 | 30 | | | | | | | | |
| | 2.4 | 0.67 | 77 | 32 | | | | | | | | |
| 25GDL2-12×8 | 1.4 | 0.39 | 101 | 23 | 2900 | 1.63 | 2.2 | 1.4 | 25 | 856 | 82 | 325 |
| | 2 | 0.56 | 96 | 30 | | | | | | | | |
| | 2.4 | 0.67 | 88 | 32 | | | | | | | | |
| 25GDL2-12×9 | 1.4 | 0.39 | 114 | 23 | 2900 | 1.89 | 2.2 | 1.4 | 25 | 896 | 86 | 365 |
| | 2 | 0.56 | 108 | 30 | | | | | | | | |
| | 2.4 | 0.67 | 99 | 32 | | | | | | | | |
| 25GDL2-12×10 | 1.4 | 0.39 | 126 | 23 | 2900 | 2.01 | 3 | 1.4 | 25 | 981 | 98 | 405 |
| | 2 | 0.56 | 120 | 30 | | | | | | | | |
| | 2.4 | 0.67 | 110 | 32 | | | | | | | | |
| 25GDL2-12×11 | 1.4 | 0.39 | 139 | 23 | 2900 | 2.31 | 3 | 1.4 | 25 | 1021 | 102 | 445 |
| | 2 | 0.56 | 132 | 30 | | | | | | | | |
| | 2.4 | 0.67 | 121 | 32 | | | | | | | | |
| 25GDL2-12×12 | 1.4 | 0.39 | 152 | 23 | 2900 | 2.52 | 3 | 1.4 | 25 | 1061 | 106 | 485 |
| | 2 | 0.56 | 144 | 30 | | | | | | | | |
| | 2.4 | 0.67 | 132 | 32 | | | | | | | | |
| 25GDL4-11×3 | 2.8 | 0.78 | 36 | 32 | 2900 | 0.86 | 1.1 | 1.4 | 25 | 606 | 58 | 125 |
| | 4 | 1.11 | 33 | 40 | | | | | | | | |
| | 4.8 | 1.33 | 28.5 | 41 | | | | | | | | |
| 25GDL4-11×4 | 2.8 | 0.78 | 48 | 32 | 2900 | 1.14 | 1.5 | 1.4 | 25 | 671 | 65 | 165 |
| | 4 | 1.11 | 44 | 40 | | | | | | | | |
| | 4.8 | 1.33 | 38 | 41 | | | | | | | | |
| 25GDL4-11×5 | 2.8 | 0.78 | 60 | 32 | 2900 | 1.43 | 2.2 | 1.4 | 25 | 736 | 72 | 205 |
| | 4 | 1.11 | 55 | 40 | | | | | | | | |
| | 4.8 | 1.33 | 47.5 | 41 | | | | | | | | |
| 25GDL4-11×6 | 2.8 | 0.78 | 72 | 32 | 2900 | 1.72 | 2.2 | 1.4 | 25 | 776 | 76 | 245 |
| | 4 | 1.11 | 66 | 40 | | | | | | | | |
| | 4.8 | 1.33 | 57 | 41 | | | | | | | | |
| 25GDL4-11×7 | 2.8 | 0.78 | 84 | 32 | 2900 | 2.00 | 3 | 1.4 | 25 | 861 | 86 | 285 |
| | 4 | 1.11 | 77 | 40 | | | | | | | | |
| | 4.8 | 1.33 | 66.5 | 41 | | | | | | | | |
| 25GDL4-11×8 | 2.8 | 0.78 | 96 | 32 | 2900 | 2.29 | 3 | 1.4 | 25 | 901 | 90 | 325 |
| | 4 | 1.11 | 88 | 40 | | | | | | | | |
| | 4.8 | 1.33 | 76 | 41 | | | | | | | | |
| 25GDL4-11×9 | 2.8 | 0.78 | 108 | 32 | 2900 | 2.57 | 3 | 1.4 | 25 | 941 | 94 | 365 |
| | 4 | 1.11 | 99 | 40 | | | | | | | | |
| | 4.8 | 1.33 | 85.5 | 41 | | | | | | | | |
| 25GDL4-11×10 | 2.8 | 0.78 | 120 | 32 | 2900 | 2.86 | 4 | 1.4 | 25 | 1011 | 110 | 405 |
| | 4 | 1.11 | 110 | 40 | | | | | | | | |
| | 4.8 | 1.33 | 95 | 41 | | | | | | | | |
| 25GDL4-11×11 | 2.8 | 0.78 | 132 | 32 | 2900 | 3.14 | 4 | 1.4 | 25 | 1051 | 114 | 445 |
| | 4 | 1.11 | 121 | 40 | | | | | | | | |
| | 4.8 | 1.33 | 104.5 | 41 | | | | | | | | |
| 25GDL4-11×12 | 2.8 | 0.78 | 144 | 32 | 2900 | 3.43 | 4 | 1.4 | 25 | 1091 | 118 | 485 |
| | 4 | 1.11 | 132 | 40 | | | | | | | | |
| | 4.8 | 1.33 | 114 | 41 | | | | | | | | |
| 25GDL4-11×13 | 2.8 | 0.78 | 156 | 32 | 2900 | 3.72 | 4 | 1.4 | 25 | 1131 | 122 | 525 |
| | 4 | 1.11 | 143 | 40 | | | | | | | | |
| | 4.8 | 1.33 | 123.5 | 41 | | | | | | | | |

注：1、GDLS、GDL-B、GDLS-B型除重量及H尺寸稍有不同外其性能参数与GDL型相同。2、h1尺寸仅用于GDLS及GDLS-B型。

泵性能参数

| 型号 | 流量 | | 扬程 (m) | 效率 (%) | 转速 (r/min) | 功率(KW) | | 汽蚀 余量 (m) | 进出口 口径 (mm) | 高度 H (mm) | 重量 (kg) | 高度 h ₁ (mm) |
|---------------|---------------------|-------|-----------|-----------|---------------|--------|------|-----------------|-------------------|-----------------|------------|------------------------------|
| | (m ³ /h) | (L/S) | | | | 轴功率 | 电机功率 | | | | | |
| 40GDL6-12×3 | 4.2 | 1.17 | 41 | 43 | 2900 | 1.09 | 1.5 | 1.4 | 40 | 657 | 72 | 125 |
| | 6 | 1.67 | 36 | 52 | | 1.13 | | 1.7 | | | | |
| | 7.2 | 2.0 | 30.5 | 52 | | 1.15 | | 1.8 | | | | |
| 40GDL6-12×4 | 4.2 | 1.17 | 54 | 43 | 2900 | 1.45 | 2.2 | 1.4 | 40 | 722 | 78 | 165 |
| | 6 | 1.67 | 48 | 52 | | 1.5 | | 1.7 | | | | |
| | 7.2 | 2.0 | 40.6 | 52 | | 1.53 | | 1.8 | | | | |
| 40GDL6-12×5 | 4.2 | 1.17 | 68 | 43 | 2900 | 1.81 | 2.2 | 1.4 | 40 | 762 | 82 | 205 |
| | 6 | 1.67 | 60 | 52 | | 1.88 | | 1.7 | | | | |
| | 7.2 | 2.0 | 51 | 52 | | 1.92 | | 1.8 | | | | |
| 40GDL6-12×6 | 4.2 | 1.17 | 82 | 43 | 2900 | 2.18 | 3 | 1.4 | 40 | 847 | 92 | 245 |
| | 6 | 1.67 | 72 | 52 | | 2.26 | | 1.7 | | | | |
| | 7.2 | 2.0 | 61 | 52 | | 2.30 | | 1.8 | | | | |
| 40GDL6-12×7 | 4.2 | 1.17 | 95 | 43 | 2900 | 2.54 | 3 | 1.4 | 40 | 887 | 96 | 285 |
| | 6 | 1.67 | 84 | 52 | | 2.64 | | 1.7 | | | | |
| | 7.2 | 2.0 | 71 | 52 | | 2.69 | | 1.8 | | | | |
| 40GDL6-12×8 | 4.2 | 1.17 | 109 | 43 | 2900 | 2.91 | 4 | 1.4 | 40 | 967 | 112 | 325 |
| | 6 | 1.67 | 96 | 52 | | 3.01 | | 1.7 | | | | |
| | 7.2 | 2.0 | 81 | 52 | | 3.07 | | 1.8 | | | | |
| 40GDL6-12×9 | 4.2 | 1.17 | 123 | 43 | 2900 | 2.27 | 4 | 1.4 | 40 | 1007 | 116 | 365 |
| | 6 | 1.67 | 108 | 52 | | 3.39 | | 1.7 | | | | |
| | 7.2 | 2.0 | 91 | 52 | | 3.45 | | 1.8 | | | | |
| 40GDL6-12×10 | 4.2 | 1.17 | 136 | 43 | 2900 | 3.63 | 4 | 1.4 | 40 | 1047 | 120 | 405 |
| | 6 | 1.67 | 120 | 52 | | 3.77 | | 1.7 | | | | |
| | 7.2 | 2.0 | 102 | 52 | | 3.84 | | 1.8 | | | | |
| 40GDL6-12×11 | 4.2 | 1.17 | 150 | 43 | 2900 | 4.0 | 5.5 | 1.4 | 40 | 1132 | 140 | 445 |
| | 6 | 1.67 | 132 | 52 | | 4.15 | | 1.7 | | | | |
| | 7.2 | 2.0 | 112 | 52 | | 4.22 | | 1.8 | | | | |
| 40GDL6-12×12 | 4.2 | 1.17 | 164 | 43 | 2900 | 4.36 | 5.5 | 1.4 | 40 | 1172 | 146 | 485 |
| | 6 | 1.67 | 144 | 52 | | 4.52 | | 1.7 | | | | |
| | 7.2 | 2.0 | 122 | 52 | | 4.60 | | 1.8 | | | | |
| 50GDL12-15×2 | 8.4 | 2.33 | 36 | 48 | 2900 | 1.72 | 2.2 | 1.4 | 50 | 766 | 113 | 158 |
| | 12 | 3.33 | 30 | 56 | | 1.75 | | 1.8 | | | | |
| | 14.4 | 4.0 | 24 | 53 | | 1.85 | | 1.8 | | | | |
| 50GDL12-15×3 | 8.4 | 2.33 | 54 | 48 | 2900 | 2.57 | 3 | 1.4 | 50 | 866 | 129 | 233 |
| | 12 | 3.33 | 45 | 56 | | 2.63 | | 1.8 | | | | |
| | 14.4 | 4.0 | 36 | 53 | | 2.78 | | 1.8 | | | | |
| 50GDL12-15×4 | 8.4 | 2.33 | 72 | 48 | 2900 | 3.43 | 4 | 1.4 | 50 | 1001 | 149 | 308 |
| | 12 | 3.33 | 60 | 56 | | 3.5 | | 1.8 | | | | |
| | 14.4 | 4.0 | 48 | 53 | | 3.70 | | 1.8 | | | | |
| 50GDL12-15×5 | 8.4 | 2.33 | 90 | 48 | 2900 | 4.2 | 5.5 | 1.4 | 50 | 1126 | 181 | 383 |
| | 12 | 3.33 | 75 | 56 | | 4.27 | | 1.8 | | | | |
| | 14.4 | 4.0 | 60 | 53 | | 4.63 | | 1.8 | | | | |
| 50GDL12-15×6 | 8.4 | 2.33 | 108 | 48 | 2900 | 5.15 | 5.5 | 1.4 | 50 | 1201 | 190 | 458 |
| | 12 | 3.33 | 90 | 56 | | 5.25 | | 1.8 | | | | |
| | 14.4 | 4.0 | 72 | 53 | | 5.55 | | 1.8 | | | | |
| 50GDL12-15×7 | 8.4 | 2.33 | 126 | 48 | 2900 | 6.0 | 7.5 | 1.4 | 50 | 1276 | 204 | 533 |
| | 12 | 3.33 | 105 | 56 | | 6.12 | | 1.8 | | | | |
| | 14.4 | 4.0 | 84 | 53 | | 6.48 | | 1.8 | | | | |
| 50GDL12-15×8 | 8.4 | 2.33 | 144 | 48 | 2900 | 6.86 | 7.5 | 1.4 | 50 | 1351 | 212 | 608 |
| | 12 | 3.33 | 120 | 56 | | 7.0 | | 1.8 | | | | |
| | 14.4 | 4.0 | 96 | 53 | | 7.40 | | 1.8 | | | | |
| 50GDL12-15×9 | 8.4 | 2.33 | 162 | 48 | 2900 | 7.72 | 11 | 1.4 | 50 | 1556 | 265 | 683 |
| | 12 | 3.33 | 135 | 56 | | 7.87 | | 1.8 | | | | |
| | 14.4 | 4.0 | 108 | 53 | | 8.33 | | 1.8 | | | | |
| 50GDL12-15×10 | 8.4 | 2.33 | 180 | 48 | 2900 | 8.58 | 11 | 1.4 | 50 | 1631 | 273 | 758 |
| | 12 | 3.33 | 150 | 56 | | 8.75 | | 1.8 | | | | |
| | 14.4 | 4.0 | 120 | 53 | | 9.25 | | 1.8 | | | | |
| 50GDL18-15×2 | 12.6 | 3.5 | 36 | 53 | 2900 | 2.33 | 3 | 1.4 | 50 | 791 | 122 | 158 |
| | 18 | 5 | 30 | 62 | | 2.37 | | 1.8 | | | | |
| | 21.6 | 6 | 25 | 62 | | 2.37 | | 1.8 | | | | |
| 50GDL18-15×3 | 12.6 | 3.5 | 54 | 53 | 2900 | 3.5 | 4 | 1.4 | 50 | 926 | 142 | 233 |
| | 18 | 5 | 45 | 62 | | 3.56 | | 1.8 | | | | |
| | 21.6 | 6 | 37.5 | 62 | | 3.56 | | 1.8 | | | | |
| 50GDL18-15×4 | 12.6 | 3.5 | 72 | 53 | 2900 | 4.66 | 5.5 | 1.4 | 50 | 1051 | 175 | 308 |
| | 18 | 5 | 60 | 62 | | 4.75 | | 1.8 | | | | |
| | 21.6 | 6 | 50 | 62 | | 4.75 | | 1.8 | | | | |
| 50GDL18-15×5 | 12.6 | 3.5 | 90 | 53 | 2900 | 5.83 | 7.5 | 1.4 | 50 | 1126 | 189 | 383 |
| | 18 | 5 | 75 | 62 | | 5.93 | | 1.8 | | | | |
| | 21.6 | 6 | 62.5 | 62 | | 5.93 | | 1.8 | | | | |
| 50GDL18-15×6 | 12.6 | 3.5 | 108 | 53 | 2900 | 7.0 | 7.5 | 1.4 | 50 | 1201 | 198 | 458 |
| | 18 | 5 | 90 | 62 | | 7.12 | | 1.8 | | | | |
| | 21.6 | 6 | 75 | 62 | | 7.12 | | 1.8 | | | | |
| 50GDL18-15×7 | 12.6 | 3.5 | 126 | 53 | 2900 | 8.16 | 11 | 1.4 | 50 | 1406 | 252 | 533 |
| | 18 | 5 | 105 | 62 | | 8.30 | | 1.8 | | | | |
| | 21.6 | 6 | 82.5 | 62 | | 8.30 | | 1.8 | | | | |
| 50GDL18-15×8 | 12.6 | 3.5 | 144 | 53 | 2900 | 9.32 | 11 | 1.4 | 50 | 1481 | 261 | 608 |
| | 18 | 5 | 120 | 62 | | 9.49 | | 1.8 | | | | |
| | 21.6 | 6 | 100 | 62 | | 9.49 | | 1.8 | | | | |
| 50GDL18-15×9 | 12.6 | 3.5 | 162 | 53 | 2900 | 10.49 | 15 | 1.4 | 50 | 1556 | 280 | 683 |
| | 18 | 5 | 135 | 62 | | 10.68 | | 1.8 | | | | |
| | 21.6 | 6 | 112.5 | 62 | | 10.68 | | 1.8 | | | | |
| 50GDL18-15×10 | 12.6 | 3.5 | 180 | 53 | 2900 | 11.66 | 15 | 1.4 | 50 | 1631 | 289 | 758 |
| | 18 | 5 | 150 | 62 | | 11.87 | | 1.8 | | | | |
| | 21.6 | 6 | 125 | 62 | | 11.87 | | 1.8 | | | | |

注：1、GDLS、GDL-B、GDLS-B型除重量及H尺寸稍有不同外其性能参数与GDL型相同。2、h₁尺寸仅用于GDLS及GDLS-B型。

泵性能参数

| 型号 | 流量 | | 扬程 (m) | 效率 (%) | 转速 (r/min) | 功率(KW) | | 汽蚀 余量 (m) | 进出 口径 (mm) | 高度 H (mm) | 重量 (kg) | 高度 h ₁ (mm) |
|---------------|---------------------|-------|-----------|-----------|---------------|--------|------|-----------------|------------------|-----------------|------------|------------------------------|
| | (m ³ /h) | (L/S) | | | | 轴功率 | 电机功率 | | | | | |
| 65GDL24-12×2 | 16.8 | 4.67 | 27 | 56 | 2900 | 2.21 | 3 | 2.9 | 65 | 821 | 131 | 160 |
| | 24 | 6.67 | 24 | 65 | | 2.41 | | 3 | | | | |
| | 28.8 | 8 | 22 | 67 | | 2.57 | | 3.1 | | | | |
| 65GDL24-12×3 | 16.8 | 4.67 | 40.5 | 56 | 2900 | 3.31 | 4 | 2.9 | 65 | 936 | 153 | 235 |
| | 24 | 6.67 | 36 | 65 | | 3.62 | | 3 | | | | |
| | 28.8 | 8 | 33 | 67 | | 3.87 | | 3.1 | | | | |
| 65GDL24-12×4 | 16.8 | 4.67 | 54 | 56 | 2900 | 4.41 | 5.5 | 2.9 | 65 | 1061 | 182 | 310 |
| | 24 | 6.67 | 48 | 65 | | 4.83 | | 3 | | | | |
| | 28.8 | 8 | 44 | 67 | | 5.15 | | 3.1 | | | | |
| 65GDL24-12×5 | 16.8 | 4.67 | 67.5 | 56 | 2900 | 5.52 | 7.5 | 2.9 | 65 | 1136 | 198 | 385 |
| | 24 | 6.67 | 60 | 65 | | 6.03 | | 3 | | | | |
| | 28.8 | 8 | 55 | 67 | | 6.44 | | 3.1 | | | | |
| 65GDL24-12×6 | 16.8 | 4.67 | 81 | 56 | 2900 | 6.62 | 7.5 | 2.9 | 65 | 1211 | 214 | 460 |
| | 24 | 6.67 | 72 | 65 | | 7.24 | | 3 | | | | |
| | 28.8 | 8 | 66 | 67 | | 7.73 | | 3.1 | | | | |
| 65GDL24-12×7 | 16.8 | 4.67 | 94.5 | 56 | 2900 | 7.72 | 11 | 2.9 | 65 | 1416 | 263 | 535 |
| | 24 | 6.67 | 84 | 65 | | 8.45 | | 3 | | | | |
| | 28.8 | 8 | 77 | 67 | | 9.01 | | 3.1 | | | | |
| 65GDL24-12×8 | 16.8 | 4.67 | 108 | 56 | 2900 | 8.83 | 11 | 2.9 | 65 | 1491 | 273 | 610 |
| | 24 | 6.67 | 96 | 65 | | 9.65 | | 3 | | | | |
| | 28.8 | 8 | 88 | 67 | | 10.3 | | 3.1 | | | | |
| 65GDL24-12×9 | 16.8 | 4.67 | 121.5 | 56 | 2900 | 9.93 | 15 | 2.9 | 65 | 1556 | 293 | 685 |
| | 24 | 6.67 | 108 | 65 | | 10.85 | | 3 | | | | |
| | 28.8 | 8 | 99 | 67 | | 11.59 | | 3.1 | | | | |
| 65GDL24-12×10 | 16.8 | 4.67 | 135 | 56 | 2900 | 11.0 | 15 | 2.9 | 65 | 1641 | 303 | 760 |
| | 24 | 6.67 | 120 | 65 | | 12.06 | | 3 | | | | |
| | 28.8 | 8 | 110 | 67 | | 12.88 | | 3.1 | | | | |
| 80GDL36-12×2 | 25.2 | 7 | 27 | 59 | 2900 | 3.14 | 4 | 3.5 | 80 | 917 | 193 | 182 |
| | 36 | 10 | 24 | 68 | | 3.46 | | 4 | | | | |
| | 43.2 | 12 | 21 | 67 | | 3.68 | | 4.2 | | | | |
| 80GDL36-12×3 | 25.2 | 7 | 40.5 | 59 | 2900 | 4.71 | 5.5 | 3.5 | 80 | 1052 | 227 | 267 |
| | 36 | 10 | 36 | 68 | | 5.19 | | 4 | | | | |
| | 43.2 | 12 | 31.5 | 67 | | 5.53 | | 4.2 | | | | |
| 80GDL36-12×4 | 25.2 | 7 | 54 | 59 | 2900 | 6.29 | 7.5 | 3.5 | 80 | 1137 | 244 | 352 |
| | 36 | 10 | 48 | 68 | | 6.92 | | 4 | | | | |
| | 43.2 | 12 | 42 | 67 | | 7.37 | | 4.2 | | | | |
| 80GDL36-12×5 | 25.2 | 7 | 67.5 | 59 | 2900 | 7.86 | 11 | 3.5 | 80 | 1352 | 292 | 437 |
| | 36 | 10 | 60 | 68 | | 8.67 | | 4 | | | | |
| | 43.2 | 12 | 52.5 | 67 | | 9.22 | | 4.2 | | | | |
| 80GDL36-12×6 | 25.2 | 7 | 81 | 59 | 2900 | 9.43 | 11 | 3.5 | 80 | 1437 | 302 | 522 |
| | 36 | 10 | 72 | 68 | | 10.39 | | 4 | | | | |
| | 43.2 | 12 | 63 | 67 | | 11.06 | | 4.2 | | | | |
| 80GDL36-12×7 | 25.2 | 7 | 94.5 | 59 | 2900 | 11.0 | 15 | 3.5 | 80 | 1522 | 322 | 607 |
| | 36 | 10 | 84 | 68 | | 12.12 | | 4 | | | | |
| | 43.2 | 12 | 73.5 | 67 | | 12.9 | | 4.2 | | | | |
| 80GDL36-12×8 | 25.2 | 7 | 108 | 59 | 2900 | 12.58 | 15 | 3.5 | 80 | 1607 | 332 | 692 |
| | 36 | 10 | 96 | 68 | | 13.85 | | 4 | | | | |
| | 43.2 | 12 | 84 | 67 | | 14.75 | | 4.2 | | | | |
| 80GDL36-12×9 | 25.2 | 7 | 121.5 | 59 | 2900 | 14.14 | 18.5 | 3.5 | 80 | 1737 | 365 | 777 |
| | 36 | 10 | 108 | 68 | | 15.59 | | 4 | | | | |
| | 43.2 | 12 | 94.5 | 67 | | 16.5 | | 4.2 | | | | |
| 80GDL36-12×10 | 25.2 | 7 | 135 | 59 | 2900 | 15.71 | 18.5 | 3.5 | 80 | 1822 | 375 | 862 |
| | 36 | 10 | 120 | 68 | | 17.31 | | 4 | | | | |
| | 43.2 | 12 | 115 | 67 | | 18.4 | | 4.2 | | | | |
| 80GDL54-14×2 | 37.8 | 10.5 | 32 | 62 | 2900 | 5.32 | 7.5 | 3.7 | 80 | 967 | 218 | 182 |
| | 54 | 15 | 28 | 70 | | 5.88 | | 4 | | | | |
| | 64.8 | 18 | 25 | 73.5 | | 6.01 | | 4.2 | | | | |
| 80GDL54-14×3 | 37.8 | 10.5 | 48 | 62 | 2900 | 7.97 | 11 | 3.7 | 80 | 1182 | 267 | 267 |
| | 54 | 15 | 42 | 70 | | 8.82 | | 4 | | | | |
| | 64.8 | 18 | 37.5 | 73.5 | | 9.01 | | 4.2 | | | | |
| 80GDL54-14×4 | 37.8 | 10.5 | 64 | 62 | 2900 | 10.13 | 15 | 3.7 | 80 | 1267 | 287 | 352 |
| | 54 | 15 | 56 | 70 | | 11.76 | | 4 | | | | |
| | 64.8 | 18 | 50 | 73.5 | | 12.01 | | 4.2 | | | | |
| 80GDL54-14×5 | 37.8 | 10.5 | 80 | 62 | 2900 | 13.3 | 18.5 | 3.7 | 80 | 1397 | 320 | 437 |
| | 54 | 15 | 70 | 70 | | 14.7 | | 4 | | | | |
| | 64.8 | 18 | 62.5 | 73.5 | | 15.0 | | 4.2 | | | | |
| 80GDL54-14×6 | 37.8 | 10.5 | 96 | 62 | 2900 | 15.9 | 18.5 | 3.7 | 80 | 1482 | 330 | 522 |
| | 54 | 15 | 84 | 70 | | 17.64 | | 4 | | | | |
| | 64.8 | 18 | 75 | 73.5 | | 18.0 | | 4.2 | | | | |
| 80GDL54-14×7 | 37.8 | 10.5 | 112 | 62 | 2900 | 18.6 | 22 | 3.7 | 80 | 1592 | 373 | 607 |
| | 54 | 15 | 98 | 70 | | 20.58 | | 4 | | | | |
| | 64.8 | 18 | 87.5 | 73.5 | | 21.0 | | 4.2 | | | | |
| 80GDL54-14×8 | 37.8 | 10.5 | 128 | 62 | 2900 | 21.3 | 30 | 3.7 | 80 | 1607 | 400 | 692 |
| | 54 | 15 | 112 | 70 | | 23.54 | | 4 | | | | |
| | 64.8 | 18 | 100 | 73.5 | | 24.0 | | 4.2 | | | | |
| 80GDL54-14×9 | 37.8 | 10.5 | 144 | 62 | 2900 | 23.9 | 30 | 3.7 | 80 | 1757 | 421 | 777 |
| | 54 | 15 | 126 | 70 | | 26.49 | | 4 | | | | |
| | 64.8 | 18 | 112.5 | 73.5 | | 27.0 | | 4.2 | | | | |
| 80GDL54-14×10 | 37.8 | 10.5 | 160 | 62 | 2900 | 26.6 | 37 | 3.7 | 80 | 1882 | 432 | 862 |
| | 54 | 15 | 140 | 70 | | 29.43 | | 4 | | | | |
| | 64.8 | 18 | 125 | 73.5 | | 30.0 | | 4.2 | | | | |

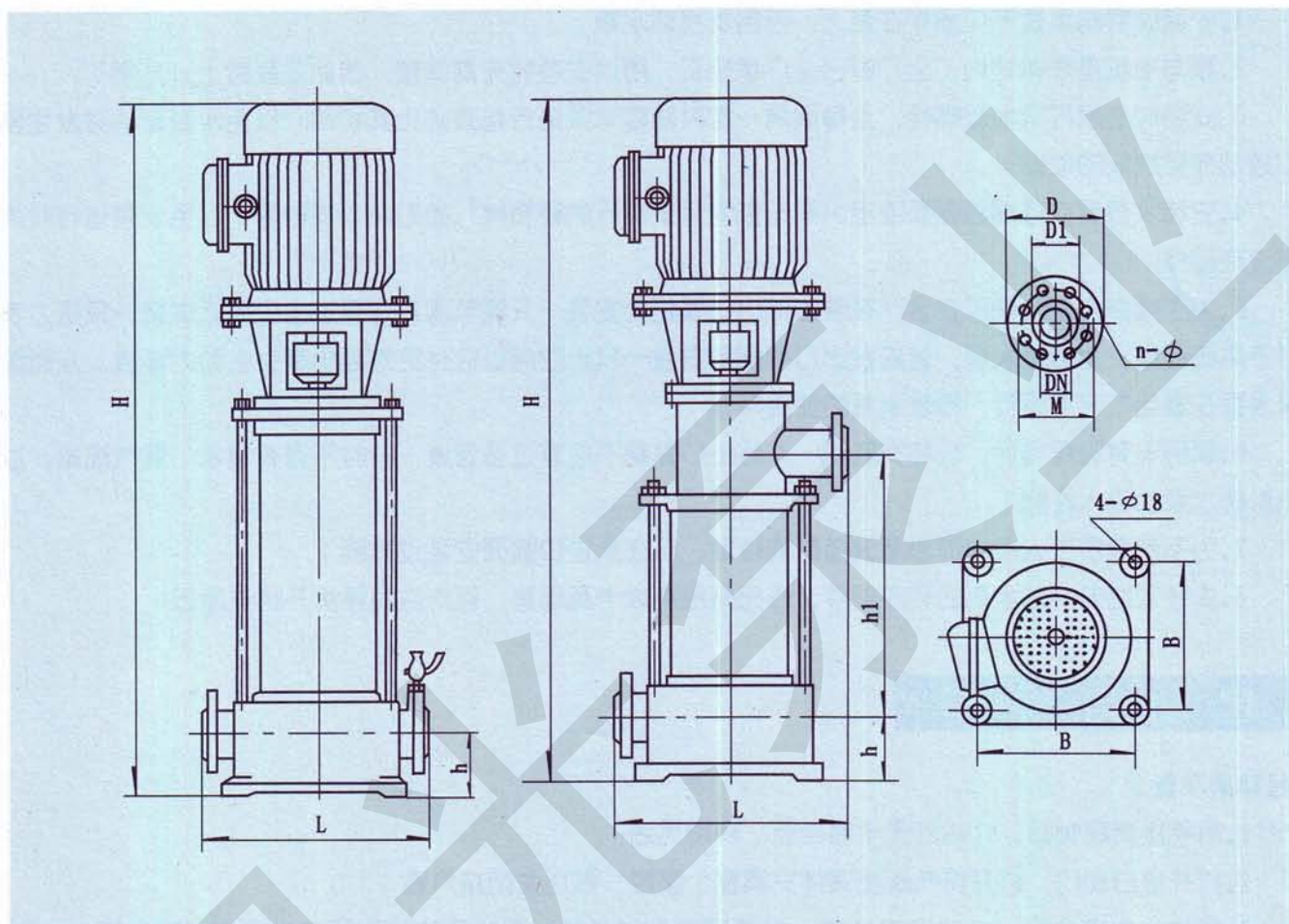
注：1、GDLS、GDL-B、GDLS-B型除重量及H尺寸稍有不同外其性能参数与GDL型相同。2、h₁尺寸仅用于GDLS及GDLS-B型。

泵性能参数

| 型号 | 流量 | | 扬程 (m) | 效率 (%) | 转速 (r/min) | 功率(KW) | | 汽蚀 余量 (m) | 进出 口径 (mm) | 高度 H (mm) | 重量 (kg) | 高度 h ₁ (mm) |
|-----------------|---------------------|-------|-----------|-----------|---------------|--------|------|-----------------|------------------|-----------------|------------|------------------------------|
| | (m ³ /h) | (L/S) | | | | 轴功率 | 电机功率 | | | | | |
| 100GDL72-14×2 | 50.4 | 14 | 32 | 64 | 2900 | 6.87 | 11 | 4.2 | 100 | 1200 | 276 | 187 |
| | 72 | 20 | 28 | 73 | | 7.53 | | 4.5 | | | | |
| | 86.4 | 24 | 24 | 73 | | 7.74 | | 4.7 | | | | |
| 100GDL72-14×3 | 50.4 | 14 | 48 | 64 | 2900 | 10.3 | 15 | 4.2 | 100 | 1335 | 298 | 272 |
| | 72 | 20 | 42 | 73 | | 11.29 | | 4.5 | | | | |
| | 86.4 | 24 | 36 | 73 | | 11.61 | | 4.7 | | | | |
| 100GDL72-14×4 | 50.4 | 14 | 64 | 64 | 2900 | 13.7 | 18.5 | 4.2 | 100 | 1460 | 336 | 357 |
| | 72 | 20 | 56 | 73 | | 15.05 | | 4.5 | | | | |
| | 86.4 | 24 | 48 | 73 | | 15.48 | | 4.7 | | | | |
| 100GDL72-14×5 | 50.4 | 14 | 80 | 64 | 2900 | 17.17 | 22 | 4.2 | 100 | 1650 | 381 | 442 |
| | 72 | 20 | 70 | 73 | | 18.81 | | 4.5 | | | | |
| | 86.4 | 24 | 60 | 73 | | 19.35 | | 4.7 | | | | |
| 100GDL72-14×6 | 50.4 | 14 | 96 | 64 | 2900 | 20.6 | 30 | 4.2 | 100 | 1740 | 453 | 527 |
| | 72 | 20 | 84 | 73 | | 22.57 | | 4.5 | | | | |
| | 86.4 | 24 | 72 | 73 | | 23.22 | | 4.7 | | | | |
| 100GDL72-14×7 | 50.4 | 14 | 112 | 64 | 2900 | 24.03 | 30 | 4.2 | 100 | 1825 | 466 | 612 |
| | 72 | 20 | 98 | 73 | | 26.34 | | 4.5 | | | | |
| | 86.4 | 24 | 84 | 73 | | 27.09 | | 4.7 | | | | |
| 100GDL72-14×8 | 50.4 | 14 | 128 | 64 | 2900 | 27.4 | 37 | 4.2 | 100 | 1900 | 493 | 697 |
| | 72 | 20 | 112 | 73 | | 30.1 | | 4.5 | | | | |
| | 86.4 | 24 | 96 | 73 | | 30.96 | | 4.7 | | | | |
| 100GDL72-14×9 | 50.4 | 14 | 144 | 64 | 2900 | 30.9 | 37 | 4.2 | 100 | 1980 | 582 | 782 |
| | 72 | 20 | 126 | 73 | | 33.9 | | 4.5 | | | | |
| | 86.4 | 24 | 108 | 73 | | 34.83 | | 4.7 | | | | |
| 100GDL72-14×10 | 50.4 | 14 | 160 | 64 | 2900 | 34.3 | 45 | 4.2 | 100 | 2070 | 595 | 867 |
| | 72 | 20 | 140 | 73 | | 37.6 | | 4.5 | | | | |
| | 86.4 | 24 | 120 | 73 | | 38.7 | | 4.7 | | | | |
| 125GDL100-20×2 | 70 | 19.4 | 46 | 65 | 2900 | 13.5 | 18.5 | 4.2 | 125 | 1185 | 292 | 204 |
| | 100 | 27.7 | 40 | 74 | | 14.7 | | 4.5 | | | | |
| | 120 | 33.3 | 34 | 73 | | 15.2 | | 4.7 | | | | |
| 125GDL100-20×3 | 70 | 19.4 | 69 | 65 | 2900 | 20.2 | 30 | 4.2 | 125 | 1315 | 430 | 289 |
| | 100 | 27.7 | 60 | 74 | | 22.1 | | 4.5 | | | | |
| | 120 | 33.3 | 51 | 73 | | 22.8 | | 4.7 | | | | |
| 125GDL100-20×4 | 70 | 19.4 | 92 | 65 | 2900 | 27.0 | 37 | 4.2 | 125 | 1410 | 463 | 394 |
| | 100 | 27.7 | 80 | 74 | | 29.5 | | 4.5 | | | | |
| | 120 | 33.3 | 68 | 73 | | 30.4 | | 4.7 | | | | |
| 125GDL100-20×5 | 70 | 19.4 | 115 | 65 | 2900 | 33.7 | 45 | 4.2 | 125 | 1585 | 555 | 489 |
| | 100 | 27.7 | 100 | 74 | | 36.8 | | 4.5 | | | | |
| | 120 | 33.3 | 85 | 73 | | 38.1 | | 4.7 | | | | |
| 125GDL100-20×6 | 70 | 19.4 | 138 | 65 | 2900 | 40.5 | 55 | 4.2 | 125 | 1865 | 640 | 584 |
| | 100 | 27.7 | 120 | 74 | | 44.2 | | 4.5 | | | | |
| | 120 | 33.3 | 102 | 73 | | 45.7 | | 4.7 | | | | |
| 125GDL100-20×7 | 70 | 19.4 | 161 | 65 | 2900 | 47.2 | 75 | 4.2 | 125 | 1960 | 840 | 679 |
| | 100 | 27.7 | 140 | 74 | | 51.5 | | 4.5 | | | | |
| | 120 | 33.3 | 119 | 73 | | 53.3 | | 4.7 | | | | |
| 125GDL100-20×8 | 70 | 19.4 | 181 | 65 | 2900 | 54.0 | 75 | 4.2 | 125 | 2055 | 855 | 774 |
| | 100 | 27.7 | 160 | 74 | | 58.9 | | 4.5 | | | | |
| | 120 | 33.3 | 136 | 73 | | 60.9 | | 4.7 | | | | |
| 125GDL100-20×9 | 70 | 19.4 | 207 | 65 | 2900 | 60.7 | 75 | 4.2 | 125 | 2225 | 870 | 869 |
| | 100 | 27.7 | 180 | 74 | | 66.3 | | 4.5 | | | | |
| | 120 | 33.3 | 153 | 73 | | 68.5 | | 4.7 | | | | |
| 125GDL100-20×10 | 70 | 19.4 | 230 | 65 | 2900 | 67.5 | 90 | 4.2 | 125 | 2370 | 955 | 964 |
| | 100 | 27.7 | 200 | 74 | | 73.6 | | 4.5 | | | | |
| | 120 | 33.3 | 170 | 73 | | 76.1 | | 4.7 | | | | |
| 150GDL160-20×2 | 112 | 31.1 | 46 | 69 | 2900 | 20.3 | 30 | 4.4 | 150 | 1325 | 422 | 205 |
| | 160 | 44.4 | 40 | 78 | | 22.3 | | 4.5 | | | | |
| | 192 | 53.3 | 34 | 77 | | 23.1 | | 4.7 | | | | |
| 150GDL160-20×3 | 112 | 31.1 | 69 | 69 | 2900 | 30.5 | 37 | 4.4 | 150 | 1420 | 452 | 300 |
| | 160 | 44.4 | 60 | 78 | | 33.5 | | 4.5 | | | | |
| | 192 | 53.3 | 51 | 77 | | 34.6 | | 4.7 | | | | |
| 150GDL160-20×4 | 112 | 31.1 | 92 | 69 | 2900 | 40.6 | 55 | 4.4 | 150 | 1705 | 613 | 395 |
| | 160 | 44.4 | 80 | 78 | | 44.7 | | 4.5 | | | | |
| | 192 | 53.3 | 68 | 77 | | 46.2 | | 4.7 | | | | |
| 150GDL160-20×5 | 112 | 31.1 | 115 | 69 | 2900 | 50.9 | 75 | 4.4 | 150 | 1875 | 820 | 490 |
| | 160 | 44.4 | 100 | 78 | | 55.9 | | 4.5 | | | | |
| | 192 | 53.3 | 85 | 77 | | 57.8 | | 4.7 | | | | |
| 150GDL160-20×6 | 112 | 31.1 | 138 | 69 | 2900 | 61.0 | 75 | 4.4 | 150 | 1970 | 836 | 585 |
| | 160 | 44.4 | 120 | 78 | | 67.1 | | 4.5 | | | | |
| | 192 | 53.3 | 102 | 77 | | 69.3 | | 4.7 | | | | |
| 150GDL160-20×7 | 112 | 31.1 | 161 | 69 | 2900 | 71.2 | 90 | 4.4 | 150 | 2115 | 922 | 680 |
| | 160 | 44.4 | 140 | 78 | | 78.3 | | 4.5 | | | | |
| | 192 | 53.3 | 119 | 77 | | 80.9 | | 4.7 | | | | |
| 150GDL160-20×8 | 112 | 31.1 | 184 | 69 | 2900 | 81.4 | 110 | 4.4 | 150 | 2400 | 1198 | 775 |
| | 160 | 44.4 | 160 | 78 | | 89.4 | | 4.5 | | | | |
| | 192 | 53.3 | 136 | 77 | | 92.4 | | 4.7 | | | | |
| 150GDL160-20×9 | 112 | 31.1 | 207 | 69 | 2900 | 91.6 | 110 | 4.4 | 150 | 2495 | 1214 | 870 |
| | 160 | 44.4 | 180 | 78 | | 100.6 | | 4.5 | | | | |
| | 192 | 53.3 | 153 | 77 | | 104.0 | | 4.7 | | | | |
| 150GDL160-20×10 | 112 | 31.1 | 230 | 69 | 2900 | 101.7 | 132 | 4.4 | 150 | 2670 | 1340 | 965 |
| | 160 | 44.4 | 200 | 78 | | 111.8 | | 4.5 | | | | |
| | 192 | 53.3 | 170 | 77 | | 115.5 | | 4.7 | | | | |

注：1、GDLS、GDL-B、GDLS-B型除重量及H尺寸稍有不同外其性能参数与GDL型相同。2、h₁尺寸仅用于GDLS及GDLS-B型。

泵外形图及其尺寸



| 型号 | h | L | B | 进出口法兰 | | | | |
|-----------|-----|-----|-----|-------|-------|--------|-------|-------|
| | | | | DN | M | n-φ | D1 | D |
| 25GDL(S) | 75 | 300 | 205 | φ 25 | φ 85 | 4~φ 14 | φ 68 | φ 115 |
| 40GDL(S) | 90 | 330 | 215 | φ 40 | φ 110 | 4~φ 18 | φ 88 | φ 150 |
| 50GDL(S) | 100 | 360 | 235 | φ 50 | φ 125 | 4~φ 18 | φ 102 | φ 160 |
| 65GDL(S) | 110 | 360 | 235 | φ 65 | φ 145 | 4~φ 18 | φ 122 | φ 180 |
| 80GDL(S) | 130 | 420 | 300 | φ 80 | φ 160 | 8~φ 18 | φ 133 | φ 200 |
| 100GDL(S) | 140 | 420 | 300 | φ 100 | φ 180 | 8~φ 18 | φ 158 | φ 220 |
| 125GDL(S) | 160 | 500 | 350 | φ 125 | φ 210 | 8~φ 18 | φ 184 | φ 250 |
| 150GDL(S) | 180 | 500 | 350 | φ 150 | φ 240 | 8~φ 22 | φ 212 | φ 285 |

注：1、GDL-B、GDLS-B型除H外与上表同；
2、尺寸H、h1见性能表。

安 装 说 明

1. 安装时管路重量不应承受在泵上，否则易损坏水泵；
2. 泵与电机是整体结构，出厂时已由厂家校正，所以安装时无需调整，因此安装时十分方便；
3. 安装时必须拧紧地脚螺栓，且每间隔一定时段应对泵进行检查防止其松动，以免水泵启动时发生剧烈振动而影响泵的性能；
4. 安装水泵前应仔细检查泵流道内有无影响水泵运行的硬质物（如石块、铁砂等）以免水泵运行时损坏过流部件；
5. 为了维修方便和使用安全，在泵的进出口管路上安装一只调节阀及在泵进出口附近安装一只压力表，对于高扬程泵，为防止水锤，还应在出口闸阀前安装一只止回阀以应付突然断电等失去动力事故，从而确保水泵在最佳工况下运行，增长水泵的使用寿命；
6. 泵用于有吸程场合，应装有底阀，并且进口管路不应有过多弯道，同时不得有漏水、漏气现象，以免影响水泵的吸入性能；
7. 为不使杂质进入泵内而堵塞流道影响性能，应在泵进口前面安装过滤器；
8. 安装管路前转动水泵的转子部件，应无磨擦声或卡死现象，否则应将泵拆开检查原因。

起 动 与 停 车

起动前准备

1. 用手拔转联轴器，叶轮应无卡磨现象，转动灵活；
2. 打开进口阀门，打开排气阀使液体充满整个泵腔，然后关闭排气嘴；
3. 如输送热液体时，起动前应预热，升温速度为 $50^{\circ}\text{C}/\text{h}$ ，泵的预热是用所输送液体不断循环来达到，以使各部位受热均匀；
4. 应先用手盘动泵几圈以使润滑水进入机械密封端面；
5. 点动电机，确定转向是否正确。

起动与运行

1. 全开进口阀门，关闭吐出管路阀门；
2. 接通电源，当泵达到正常转速后，再逐渐打开吐出管路上的阀门，并调节到所需工况；
3. 注意观察仪表读数，检查轴封泄漏情况，正常时机械密封泄漏为3滴/分，检查电机、轴承处温度 $\leq 75^{\circ}\text{C}$ ，如果发现异常情况，应及时处理。

停 车

1. 逐渐关闭吐出管路阀门，切断电源；
2. 关闭进口阀门；
3. 如环境温度低于 0°C ，应将泵内液体放尽，以免冻裂水泵；
4. 如长期停用，应将泵拆卸清洗，包装保管。